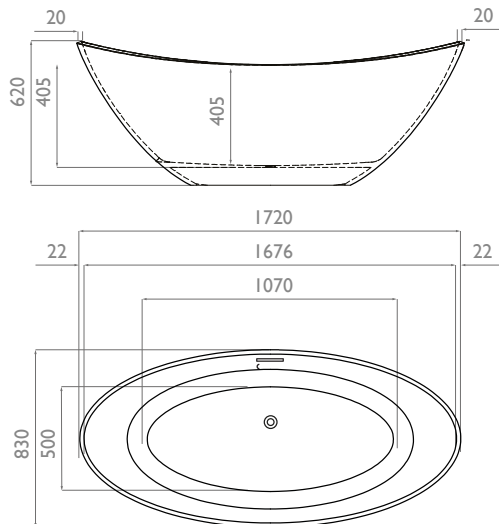




Available in  
**Matt & Gloss**

### Dimensions:



### Fill information:

#### Fill information:

	Ltrs	Gloss	Matt
495	250	357	340
125	125	235	215
240	0	107	90

#### Note:

Minimum installation void required for trap and waste is 0mm below floor level.

### Features:

22mm profile edge - double ended free-standing bath - Available in Gloss and Matt composite stone - 105mm base cavity - lifetime guarantee

### Dimensions:

1720mm x 830mm x 620mm LxWxH

### Weight:

Gross 125kg - Net 90kg

### Further Info:

Full specifications, fitting instructions and 3D data files are available as PDF's and SKP files online. Other information for architects, specifiers or interior designers available on request.

### Counter top Basin also available:

**Waters Baths**  
Breeze stone basin  
550x400x200mm LxWxH

